

RIW CEMENTJOINT

RIW Cementjoint is an advanced, elastomeric, highly tear resistant, breathable, waterproof composite tape.

BENEFITS

- | Impermeable to water under 100m head of hydrostatic pressure
- | Exhibits 600% elongation
- | Adaptable, for use over construction and expansion joints
- | Good UV and chemical resistance
- | Weather resistant

APPLICATIONS

- | Construction / expansion joints
- | Reinforcement of Cement Based coatings

APPLIED TO

- | Concrete
- | Masonry

RIW CEMENTJOINT

TYPICAL USES

When embedded in the Cementseal or Cementflex materials, it gives a highly flexible, impermeable seal over 'live' cracks and expansion/construction joints.

DURABILITY

Subject to normal conditions of use, Cementjoint will provide an effective barrier to the transmission of liquid water for the life of the structure.

SPECIFICATION

Please consult RIW for further information.

CONSTRUCTION

GENERAL

All construction should conform to the Building Regulations, Codes of Practices and British Standards in current use at the time the building is being constructed. In particular it is recommended that reference is made to BS 8102:2009.

PREPARATION & PRIMING

See Cementseal/Cementflex data sheets.

PLACING

Apply 25mm wide masking tape centrally over the crack or joint before applying by brush a 1mm thick coat of Cementseal or Cementflex extending a minimum of 20mm beyond the edges of the reinforcing tape. Uniformly embed Cementjoint using a trowel or similar ensuring there are no wrinkles, cutting at corners to provide an overlap. Apply a second 1mm coat as above to encapsulate the Cementjoint as shown in the detail drawings.

When using Cementseal, masking tape can be used to create an exposed joint by removing when the embedment coating is still wet. Over expansion joints allow slack in the tape, to allow for the designed degree of joint movement. A second tape can be installed where additional protection is required.

JOINING TAPES

After installation of the first section of tape as described above, immediately embed the second section, overlapping by a minimum of 100mm. Encapsulate as shown in Detail 4.

PERFORMANCE & COMPOSITION

Form	Elastomeric sheet membrane
Colour	White
Thickness	0.4mm
Elongation	600 % (ASTM D - 638)
Impermeability	Resists 10 bar pressure
Temperature range	- 20° C to + 90° C

The above performance figures are typical values and should not be considered a product specification.

SAFETY

Full health and safety instructions are contained on the product material safety data sheets and these must be referred to before use.

SUPPLY

AVAILABILITY

All RIW products can be obtained through Builders Merchants or approved stockists. A list of approved stockists is available from RIW's offices.

PACKAGING

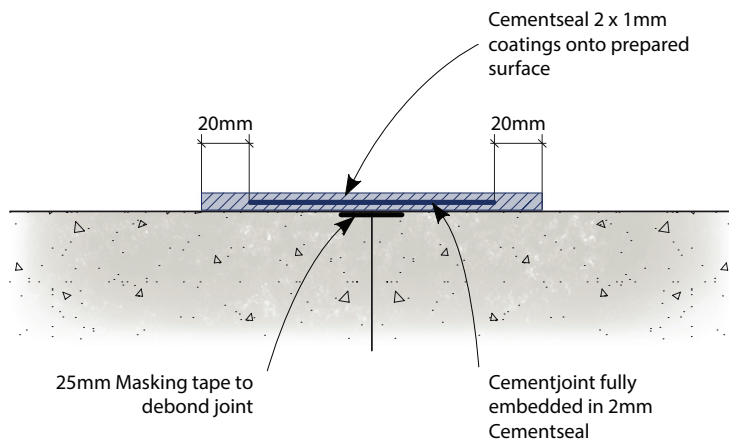
120mm wide x 10m long rolls in box.

STORAGE

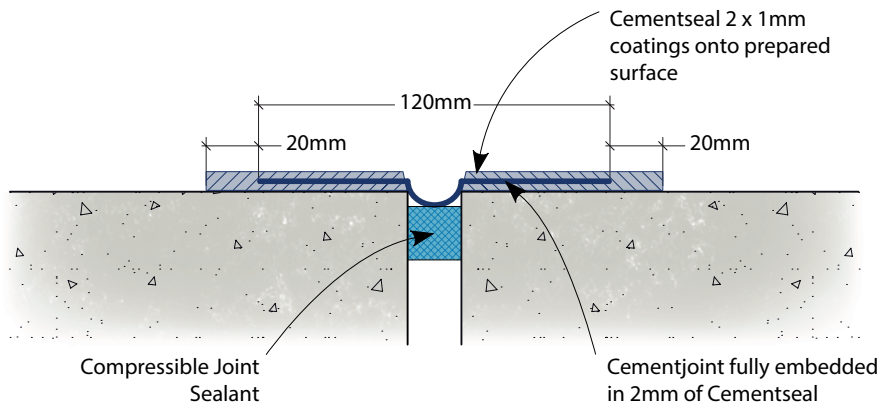
There are no special requirements but rolls should be stored in dry conditions.

TECHNICAL SERVICES

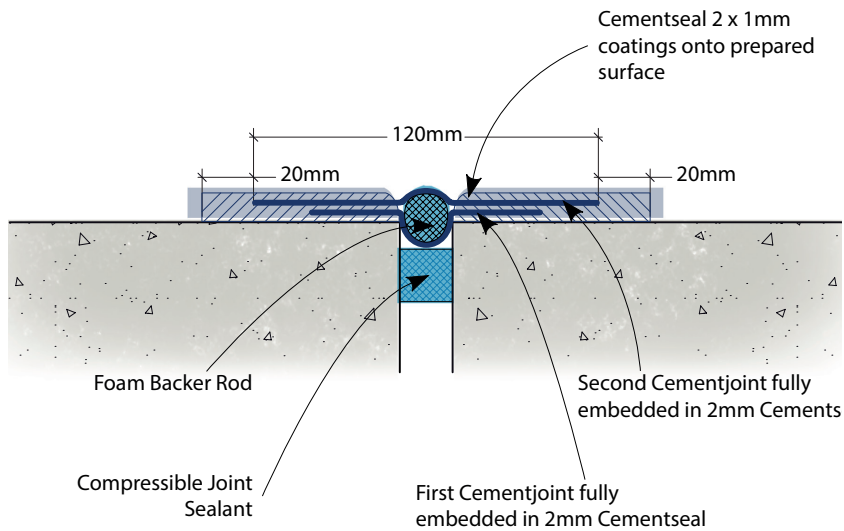
The Technical Department is available to advise on individual projects and to prepare and assist in the preparation of specifications and drawings. A list of experienced material applicators is available from RIW's offices.



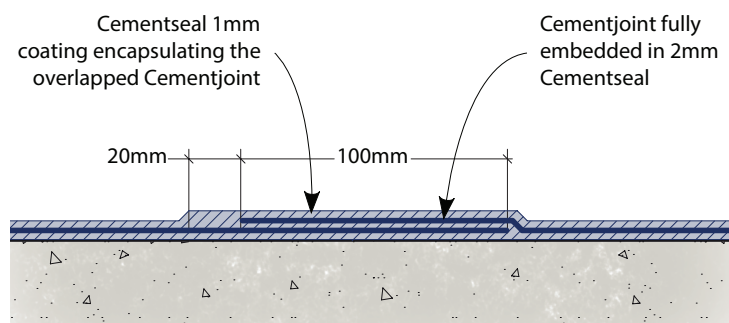
Detail 1 - Construction Joint or Crack Detail



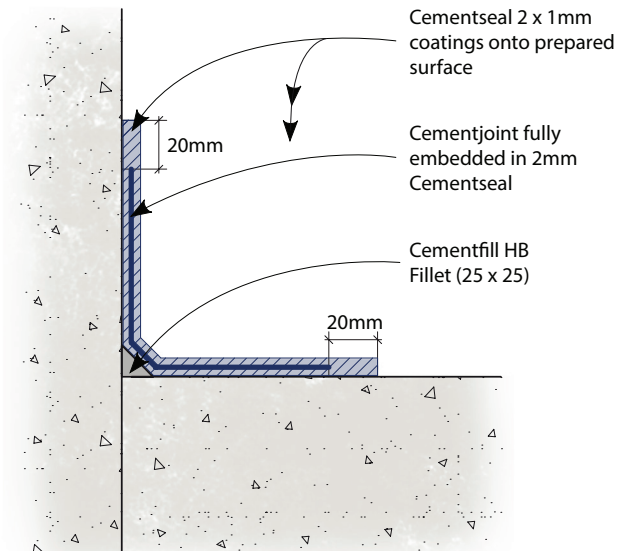
Detail 2 - Expansion Joint Detail



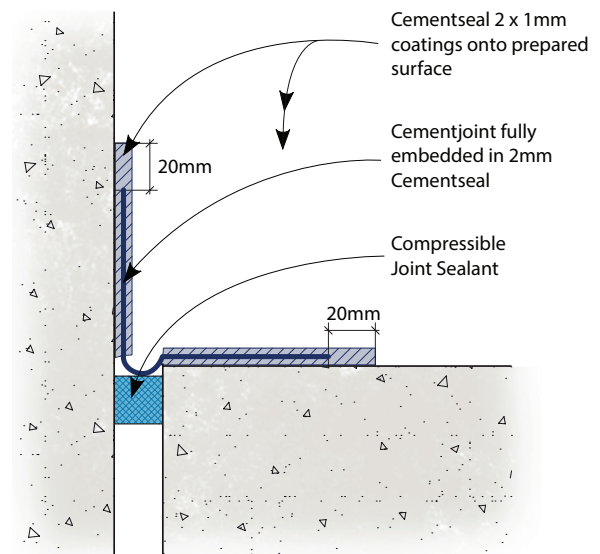
Detail 3 - Expansion Joint Detail, sealed with 2 tapes



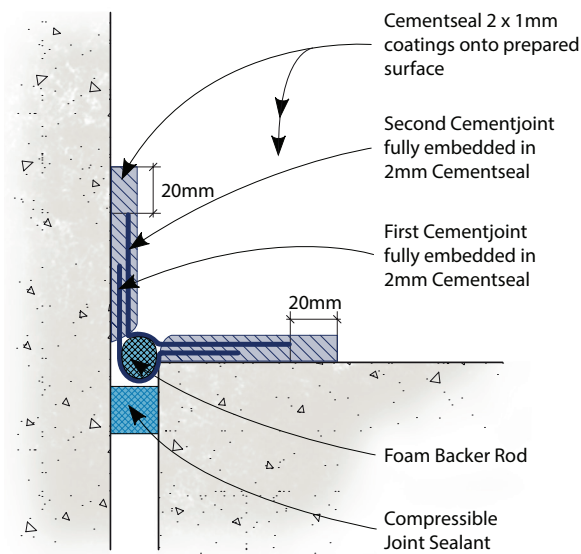
Detail 4 - Overlap Details



Detail 5 - Typical Wall/Floor Angle



Detail 6 - Typical Wall/Floor Angle at Expansion Joint



Detail 7 - Expansion Joint Detail, sealed with 2 tapes

The information in this literature was correct at the time of going to press. However, we are committed to continually improving our products and reserve the right to change product specifications.

For the latest information, please consult RIW. Conditions of use are beyond our control, therefore we cannot warrant the results to be obtained.

RIW Limited

487-488 Ipswich Road, Slough, SL1 4EP

Technical enquires tel: **01753 944200**

Commercial enquires tel: **01753 944210**

www.riw.co.uk

